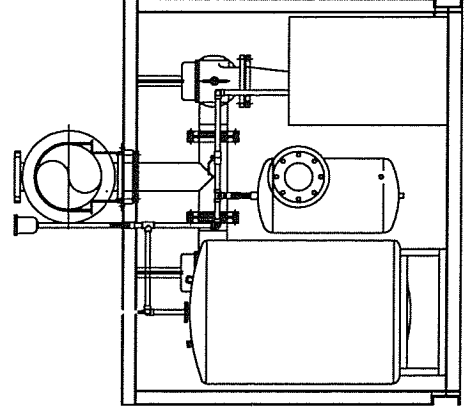
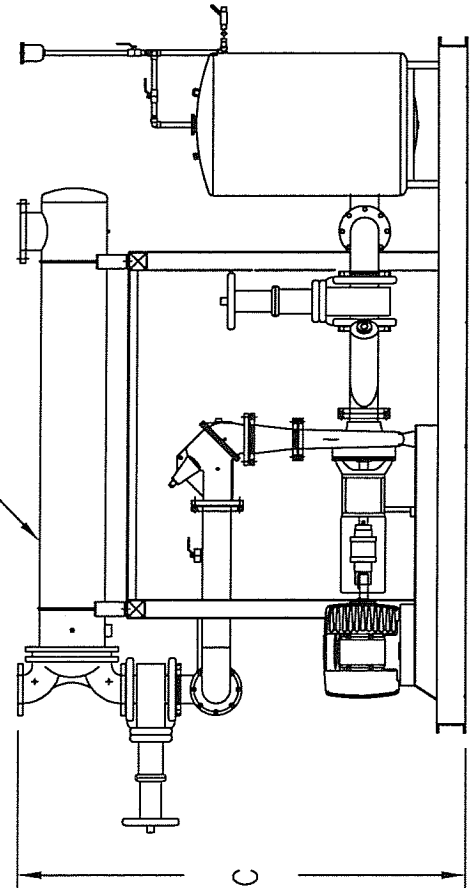


COURTESY  
SECTION A

HEAT EXCHANGER



REV.	DESCRIPTION	DATE	DESIGNED BY
	<p>NOTE: THIS DRAWING AND ANY MODIFICATIONS HEREON SHALL BE THE PROPERTY OF AND FOR THE USE OF THE U.S. AIR FORCE. IT IS TO BE KEPT IN THE OFFICE OF THE PROJECT ENGINEER, WRIGHT-PATTERSON AIR FORCE BASE, DAYTON, OHIO.</p>		
	<p>NOTE: THIS DRAWING IS THE PROPERTY OF GERMAIN &amp; FRENCH, INC. IT IS TO BE KEPT IN THE OFFICE OF THE PROJECT ENGINEER, WRIGHT-PATTERSON AIR FORCE BASE, DAYTON, OHIO.</p>		
<b>GERMAIN &amp; FRENCH, INC.</b>			
<p>WRIGHT-PATTERSON AIR FORCE BASE DAYTON, OHIO 45433-3399</p>			
<b>GLYCOL HEATING UNIT</b>			
FORM NO. 100-100-100			
DESIGNED BY	DATE	SCALE	REV.
DRAWN BY			
CHECKED BY			
APPROVED BY			