
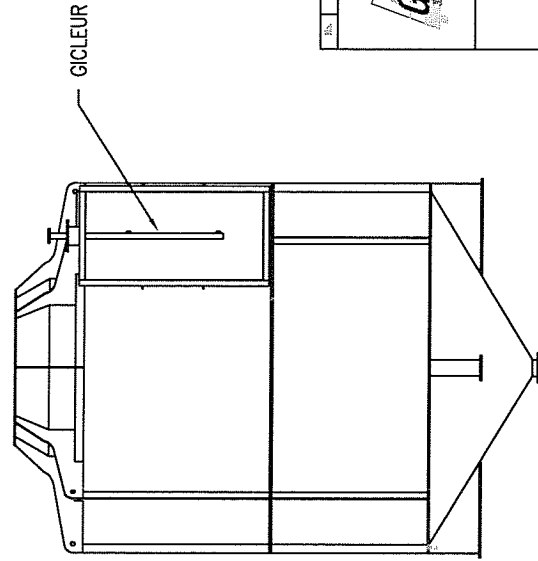
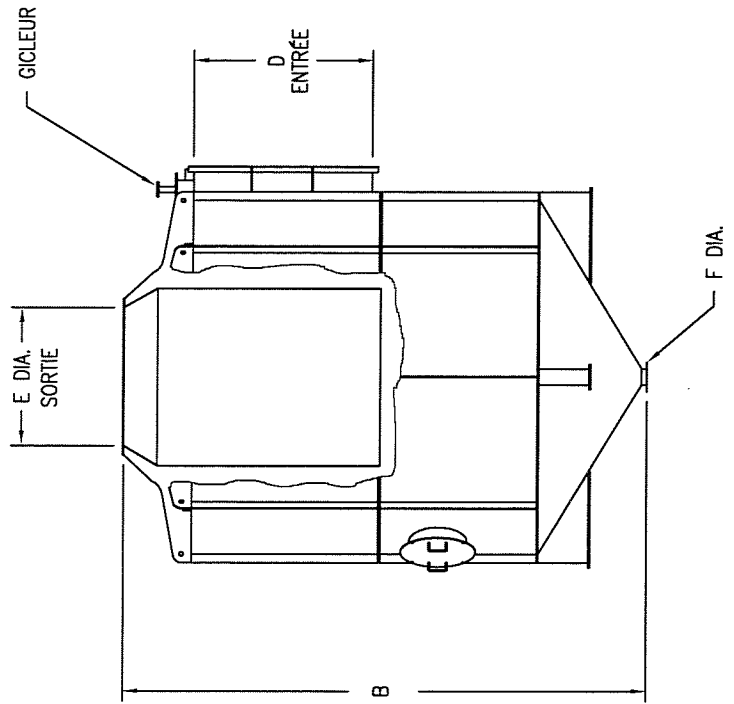
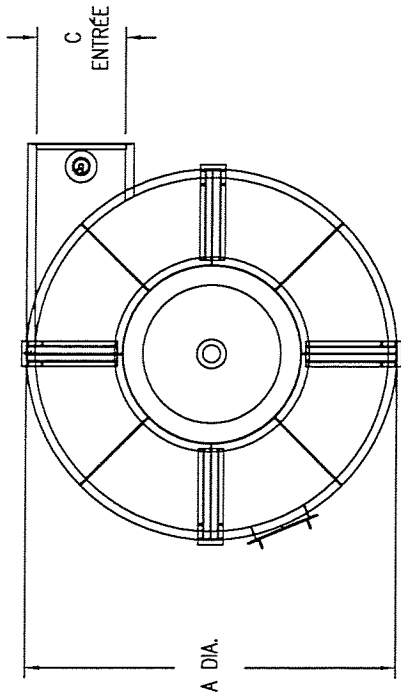



REV.	REVISIONS	DATE	REVISION
 <p>GERMAIN SOCIÉTÉ ANONYME 20000 CHARENTAIS FRANCE</p>			
<p>NOTE: THIS DRAWING AND THE INFORMATION HEREON ARE THE PROPERTY OF GERMAIN S.A. AND ARE TO BE KEPT SECRET BY THE USER.</p>			
<p>NOTE: CE DROIT DE PROPRIÉTÉ EST LA PROPRIÉTÉ DE GERMAIN S.A. ET DOIT ÊTRE GARDÉ SECRET PAR L'UTILISATEUR.</p>			
<h2>ELIMINATEUR D'EAU AXIAL</h2>			
<p>REVISIONS</p>			
DESIGNER:	CON.	REV.	
DRAWN:	SCALE:		
CHECKED:			



REV.	DESCRIPTION	DATE	PROJETS
 <p>GERMAIN UNIVERSITY COMPANY INC. 1000 UNIVERSITY AVENUE MONTREAL, QUEBEC H3A 2K4</p>			
<p>NOTE: THIS DRAWING AND ANY DIMENSIONS HEREON, ARE THE PROPERTY AND FOR THE SOLE USE OF GERMAIN UNIVERSITY COMPANY INC. ANY REPRODUCTION OR USE OF THIS DRAWING WITHOUT THE WRITTEN PERMISSION OF GERMAIN UNIVERSITY COMPANY INC. IS STRICTLY PROHIBITED.</p>			
<h2>SEPARATEUR CYCLONE</h2>			
<p>WET OR DRY</p>			
DESIGNED:	CON.	REV.	
DRAWN:	SCALE:		
VERIFIED:			